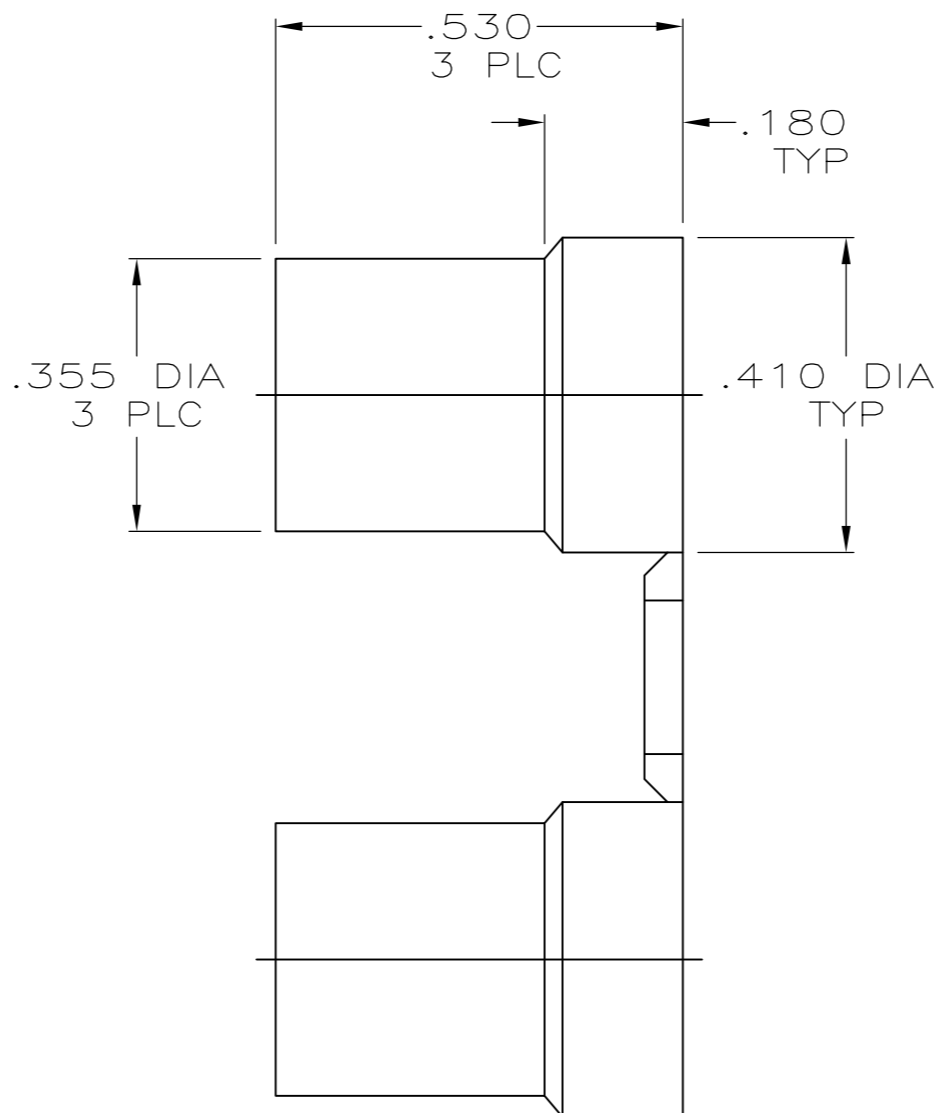
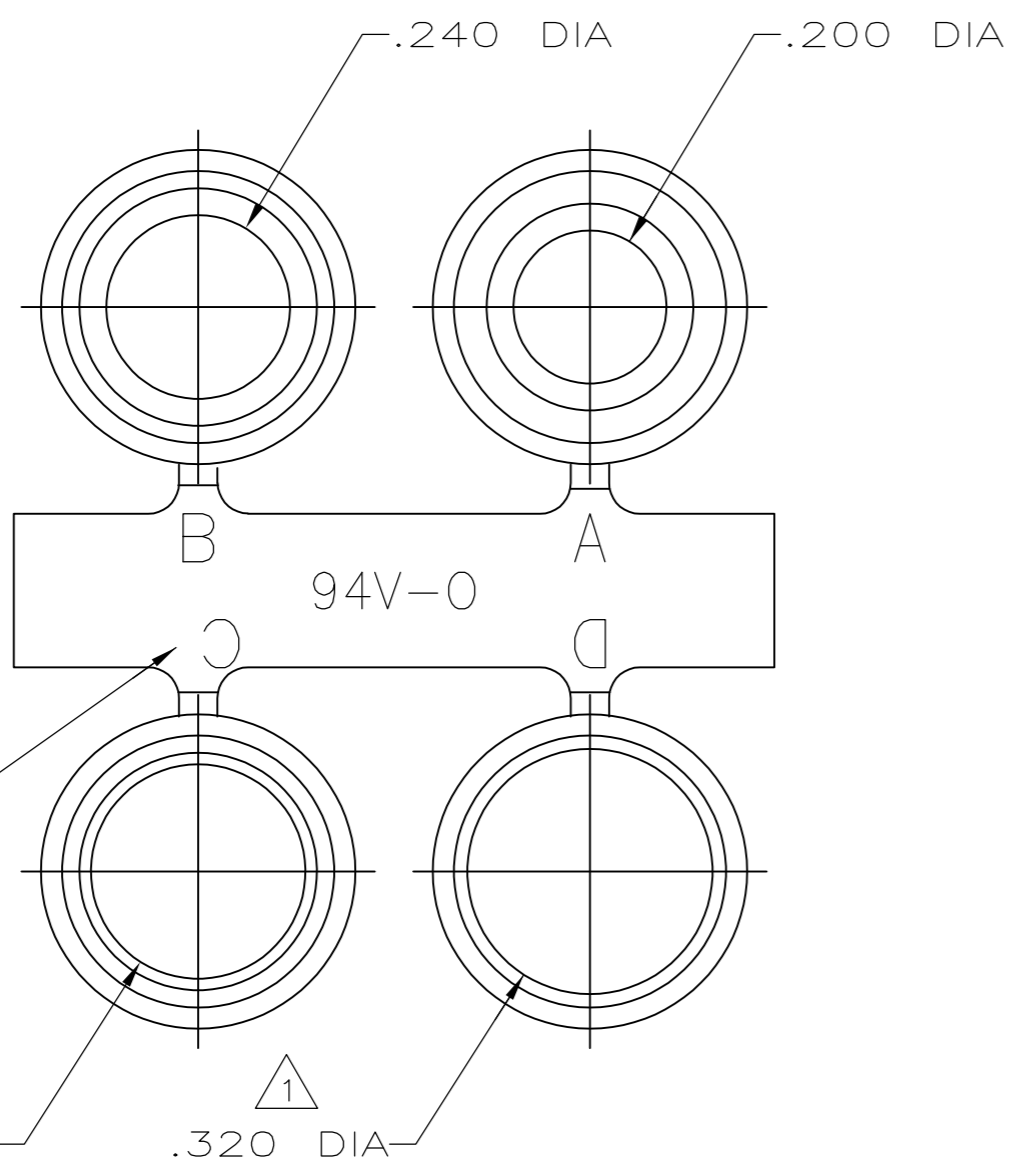


THIS DRAWING IS UNPUBLISHED. RELEASED FOR PUBLICATION  
 © COPYRIGHT - By - ALL RIGHTS RESERVED.

LOC	DIST	REVISIONS					
		P	LTR	DESCRIPTION	DATE	DWN	APVD
BD	48						
		D1		REVISED PER ECO-11-004835	11MAR11	RK	HMR



1 TOTAL HEIGHT IS .180, THIS GROMMET ONLY.

747746-1

PART NO

THIS DRAWING IS A CONTROLLED DOCUMENT.		DWN	S.WELDON	8-24-88		GROMMET ASSORTMENT, SIZE 1 & 2 CABLE CLAMPS, AMPLIMITE®																				
DIMENSIONS: INCHES		CHK	W.G.LENKER	8-24-88		NAME																				
TOLERANCES UNLESS OTHERWISE SPECIFIED:		APVD	R.N.WHYNE	8-26-88		PRODUCT SPEC																				
<table border="1"> <tr><td>0 PLC</td><td>±</td><td>-</td></tr> <tr><td>1 PLC</td><td>±</td><td>-</td></tr> <tr><td>2 PLC</td><td>±</td><td>-</td></tr> <tr><td>3 PLC</td><td>±</td><td>.005</td></tr> <tr><td>4 PLC</td><td>±</td><td>-</td></tr> <tr><td>ANGLES</td><td>±</td><td>-</td></tr> </table>		0 PLC	±	-		1 PLC	±	-	2 PLC	±	-	3 PLC	±	.005	4 PLC	±	-	ANGLES	±	-	APPLICATION SPEC			SIZE	CAGE CODE	DRAWING NO
0 PLC	±	-																								
1 PLC	±	-																								
2 PLC	±	-																								
3 PLC	±	.005																								
4 PLC	±	-																								
ANGLES	±	-																								
MATERIAL: FLEXIBLE PVC, UL 94V-0 RATED, COLOR: BLACK		FINISH			WEIGHT	A2 00779 C=747746																				
CUSTOMER DRAWING					SCALE	4:1	SHEET	1 of 1	REV	D1																

747746